

Warning: --- Special Report!

Why many people are needlessly incurring very expensive repairs and how YOU can avoid them.

What other shops WON'T tell you

When you or a family member operate your vehicle with the fuel level **below a ¼ tank** you take the risk of causing **damage to your fuel pump**, in many cases causing it to **fail**, **especially in the summer time with high temperatures**

Surprising information...

Most vehicles today have fuel pumps located inside the gas tank, one very important aspect to that, believe it or not, is that it is intended for the **fuel in the tank to help keep the pump cool during operation**. When the fuel level gets to a certain point and the fuel is not cooling it, the **pump overheats** and can **cause it to fail**.

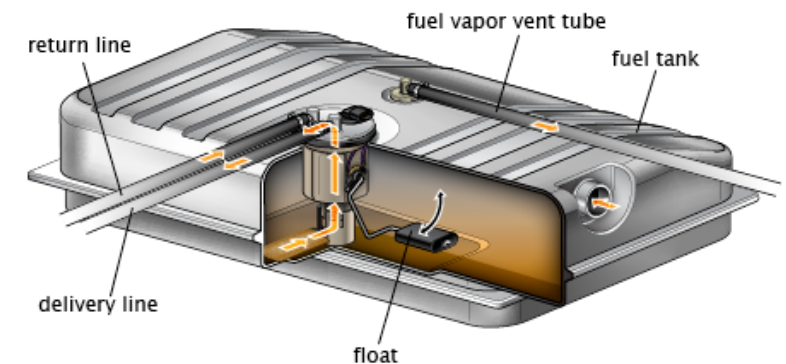


Image courtesy of ClearMechanic.com

We often see this in cars driven by teens, they don't have enough money to keep the fuel level up in their cars.

We often see a jump in **fuel pump failures** when the price of **gas goes higher**. Most fuel pumps are **very expensive**. It's not uncommon to see prices that are in the **\$500-\$1500** range and higher on some models.

You can avoid paying us that large sum of money!

URGENT INFORMATION

Although we will gladly take care of this repair should you need it, we want to **help you avoid expensive repairs**. There are many repairs on your vehicle that you cannot avoid; this is one that **you can do something about**. All you really need to do is **maintain ¼ tank of fuel or more** in your vehicle to make sure that there is enough to keep the pump cool, **resist the temptation** to wait out fuel price increases and you will **save a lot more in the long run**.

Be sure to share this money saving tip with everyone in your family.

Because **you are one of our valued clients** we want to help you avoid this potential pitfall. If you have **any questions** about this please give us a call at **630.668.6530**.

**This information courtesy of Kehoe Automotive Center
630.668.6530.**